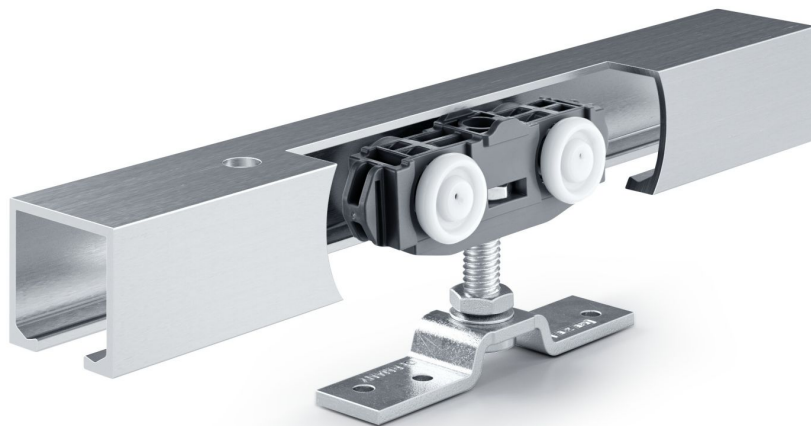


Product data sheet

Rollan 80 NT complete set



Product Data Table

Productname	GEZE Rollan 80 NT complete set
Leaf material	Wood, plastic, metal, glass
Recommended leaf weight up to	80 kg
Leaf weight (max.) with draw-in damper	40 kg
Test cycles	50000
Corrosion protection class	Yes
Type of installation	Wall installation, Ceiling installation
Access for all	according to DIN 18040