

Slimdrive
SL NT
SL NT-FR

GB Mounting instructions

Cantilever beam

Contents



1	Symbols and means of representation.....	3
1.1	Validity.....	3
1.2	Product liability.....	3
2	Safety instructions	4
3	Overview	5
3.1	Diagrams.....	5
3.2	Tool	5
3.3	Profile cross-sections.....	5
3.4	Structure	6
3.5	Side panels	7
4	Mounting	8
4.1	Preparations to be made by the customer	8
4.2	Preparatory mounting work.....	8
4.3	Preparing the cantilever beam	8
4.4	Cantilever mounting	9
4.5	Wall-mounted with side elements before the wall	10
4.6	Mounting the side elements	11
5	Dismantling	14

1 Symbols and means of representation

Warnings



In these instructions warnings are used to warn against material damage and injuries.

- ▶ Always read and observe these warnings.
- ▶ Observe all the measures that are marked with the warning symbol and warning word.

Warning symbol	Warning word	Meaning
	WARNING	Danger for persons. Non-observance can result in death or serious injuries.
	CAUTION	Danger for persons. Non-observance can result in minor injuries.
-	CAUTION	Information in order to avoid material damage, to understand or to optimize the processes.

Further symbols and means of representation

Important information and technical notes are emphasised in order to illustrate the correct operation.

Symbol	Meaning
	means "important note"
	means "additional information"
▶	Symbol for an action: Here you have to do something. ▶ Observe the sequence if there are several action steps.

1.1 Validity

Valid for devices from manufacture date 06/09

1.2 Product liability

In accordance with the liability of the manufacturer for his products as defined in the German "Produkthaftungsgesetz" (Product Liability Act), the information contained in this brochure (product information and proper use, misuse, product performance, product maintenance, obligations to provide information and instructions) is to be observed. Non-observance releases the manufacturer from his statutory liability.

2 Safety instructions

General

The prescribed installation, maintenance and repair work must be performed by properly trained personnel authorised by GEZE.

The country-specific laws and regulations are to be observed during safety-related tests.

GEZE shall not be liable for injuries or damage resulting from unauthorised modification of the system.

GEZE is not liable if products from other manufacturers are used with GEZE equipment.

Only original GEZE parts may be used for all work.

The connection to the power supply must be made by a professional electrician. Perform the power connection and equipment earth conductor test in accordance with VDE 0100 Part 610.

In accordance with Machine Directive 2006/42/EC, a danger analysis must be performed and the door system identified in accordance with CE Identification Directive 93/68/EEC before commissioning the door system.

Observe the latest versions of guidelines, standards and country-specific regulations, in particular:

- ASR A1.7 "Guidelines for doors and gates"
- VDE 0100, Part 610 "Installation of high-voltage systems with nominal voltages up to 1000 V"
- AutSchR "Directive for automatic windows, doors and gates"
- Accident-prevention regulations, especially BGV A1 "General regulations" and BGV A2 "Electrical systems and equipment"
- DIN EN 60335-2-103 "Safety of electrical devices for home use and similar purposes; Special requirements for drives for gates, doors and windows"

Safety-conscious working

Secure the workplace against unauthorised entry.

Take the swinging area of long system parts into account.

Never carry out work with a high safety risk (e.g. mounting the drive, hood or door leaf) while alone.

Secure the hood/drive shrouding against falling.

Danger of injury at an opened drive. Hair, clothing, cables, etc. can be drawn in by rotating parts!

Danger of injury by unsecured pinching, impact, drawing-in or shearing spots!

Danger of injury by broken glass!

Danger of injury by sharp edges in the drive!

Danger of injury during mounting by freely moving parts!

Environmentally-conscious working

When disposing of the door system, separate the different materials and have them recycled.

Do not dispose of batteries and storage cells with household garbage.

Comply with the statutory regulations when disposing of the door system and the batteries and storage cells.

3 Overview

3.1 Diagrams

Number	Type	Name
70511-ep02	Installation diagram	Cantilever beam with Slimdrive SL NT
70511-ep04	Installation diagram	SL NT / -FR with cantilever beam wall mounting
70715-9-9854	Mounting instructions	ISO leaf for Slimdrive SL NT
70715-9-9855	Mounting instructions	Side element for Slimdrive SL NT



The diagrams are subject to change.

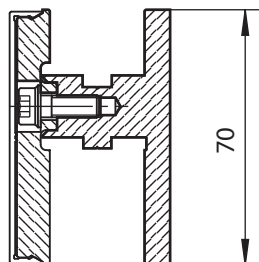
► Use only the most recent versions.

3.2 Tool

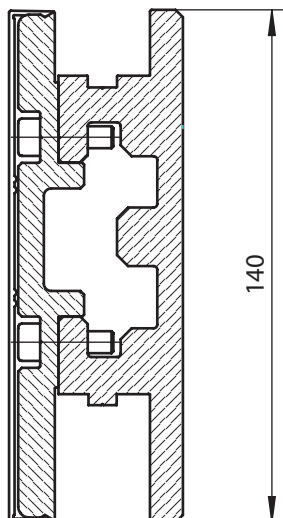
Tool	Size
Torque spanner	3–15 Nm
Set of Allen keys	up to Size 6 mm
Open-ended spanner	8 mm, 10 mm, 13 mm, 17 mm
Screwdriver set	up to 6 mm
Electric drill	–
Drill bit for stone	–
Drill bit for metal	–

3.3 Profile cross-sections

Beam SL

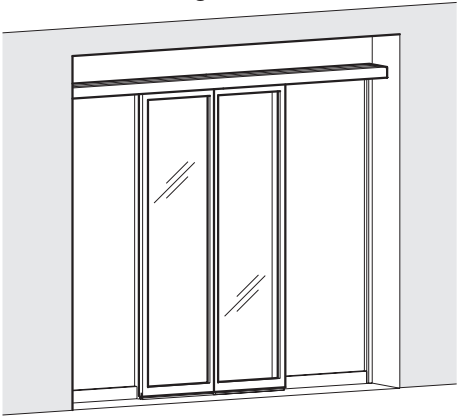
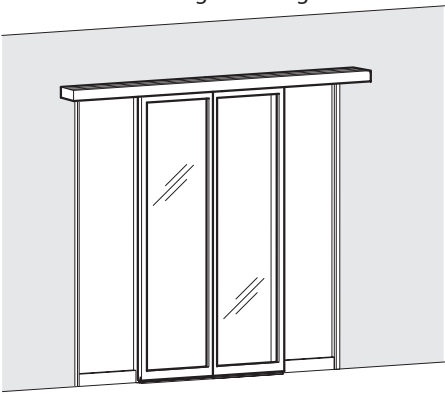
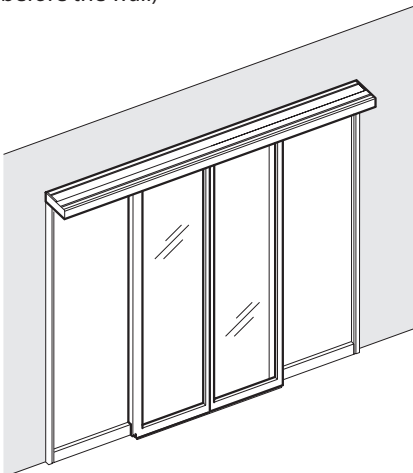


Beam EC/SL

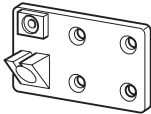
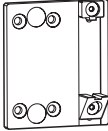




3.4 Structure

i Only the components for one of the described mounting methods are supplied.

Representation	Door type	Door leaf	Beam type	Fastening
<p>Cantilever mounting</p> 	SL	1-leaf or 2-leaf	SL EC/SL	Side panel A Side panel B
<p>Cantilever mounting with longer drive</p> 	SL	1-leaf or 2-leaf	SL EC/SL	Side panel C or D
<p>Wall mounting (with side elements before the wall)</p> 	SL	1-leaf or 2-leaf	SL	Directly at lintel

3.5 Side panels

Side panel	Door type	Beam type	Sketch
A	SL NT	SL NT	
B	SL NT	EC/SL Designation: Side panel large	
C	SL NT	SL	
D	SL NT	EC/SL Designation: Side panel small	

4 Mounting

4.1 Preparations to be made by the customer

- ▶ Check the preparations that are not included to ensure proper mounting:
 - Load-bearing capacity of wall and ceiling
 - Type and loading capacity of the facade structure or substructure
 - Levelness of the mounting surfaces
 - Compare the specified dimensions and ordered components with the actual structural dimensions and the local conditions

4.2 Preparatory mounting work



WARNING

Danger of injury!

- ▶ Secure the workplace against unauthorised entry.
- ▶ At 1-leaf doors always perform work with at least a second person.
- ▶ At 2-leaf doors always perform work with at least three persons.
- ▶ Use at least two stepladders or stepstools.

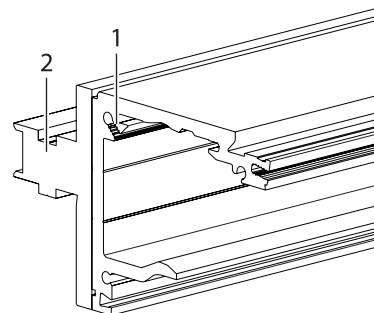


The following chapter describes the mounting of the cantilever beam (beam type SL and EC/SL) for the Slimdrive SL NT (drive lying below).

4.3 Preparing the cantilever beam

Beam type SL for cantilever mounting

- ▶ Screw the track profile (1) on the cantilever beam type SL (2).



Beam for wall/lintel mounting

- ▶ Mount the beam type SL to the wall.

Beam type EC/SL for cantilever mounting

- ▶ Remove the holes at the beam type EC/SL from the track profile and drill them. Position, diameter and depth in accordance with Drawing No. 70504-9-0956.
- ▶ Mount the track profile on the beam type EC/SL in accordance with the installation diagram EP 70511-ep02.

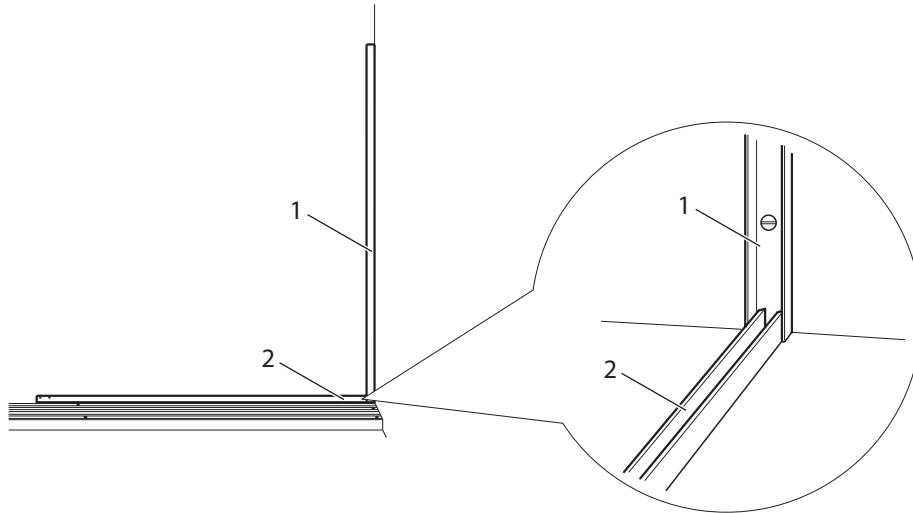
Mounting the wall and floor strips

- ▶ Drill 3 countersink holes at an equal distance along each wall strip (1).
- ▶ Drill 2–3 countersink holes at an equal distance along each floor strip (2).
- ▶ Set up the side elements at the future position and secure against falling over.
- ▶ Tension the cord in order to align the side elements exactly.
- ▶ Mark the position of the wall strips and the floor strips on the floor.
- ▶ Mark the passage area on the floor.
- ▶ Put down the side elements.

- ▶ Place the wall strips (1) against the wall and on the floor.
- ▶ Align the wall strips (1) vertically using a level.
- ▶ Screw the wall strips (1) onto the wall with countersunk screws.

! The floor strips (2) must reach into the wall strips (1) and abut there.

- ▶ Align the floor strips (2) and screw them to the floor.



4.4 Cantilever mounting

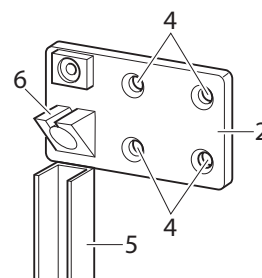
! ▶ If small side panels are used, ensure that the space between the edge of the wall and the drill hole is large enough.

i The type of the side panels depends on the type of mounting (see Section 2.4).

Mounting the left and right side panel for beam type SL

- ▶ Hold the side panels (2) flush above the wall strips (5) against the wall and align them horizontally.
- ▶ Mark the drill holes (4) through the side panels.
- ▶ Drill the drill holes.
- ▶ Fasten the side panels using countersunk screws (M8).
- ▶ Screw the lower fastening blocks (6) to the side panel.

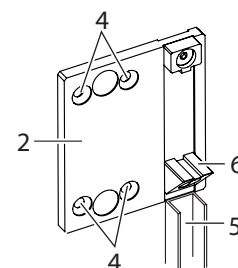
Side panel A



Mounting the left and right side panel for beam type EC/SL

- ▶ Hold the side panels (2) flush above the wall strips (5) against the wall and align them horizontally.
- ▶ Mark the drill holes (4) through the side panels.
- ▶ Drill the drill holes.
- ▶ Fasten the side panels using countersunk screws (M8).
- ▶ Screw the lower fastening blocks (6) to the side panel.

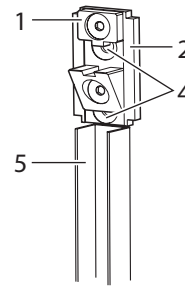
Side panel B



Mounting the left and right (small) side panel for beam type SL

- ▶ Hold the side panels (2) flush above the wall strips (5) against the wall and align them horizontally.
- ▶ Mark the drill holes (4) through the side panels.
- ▶ Drill the drill holes.
- ▶ Fasten the side panels using countersunk screws (M8).
- ▶ Unscrew the upper fastening blocks (1) from the side panels and store for fastening on again later.

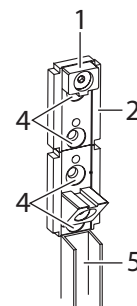
Side panel C



Mounting the left and right (small) side panel for beam type EC/SL

- ▶ Align the side panels (2) flush to the wall and lintel.
- ▶ Mark the drill holes (4) through the side panels.
- ▶ Drill the drill holes.
- ▶ Fasten the side panels using countersunk screws (M8).
- ▶ Remove the upper fastening blocks (1) from the side panels.

Side panel D



Mounting the cantilever beam

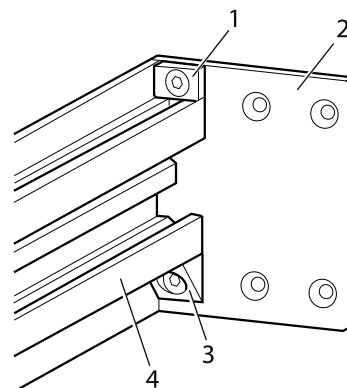


WARNING!

Danger of injury! The cantilever beam is very heavy and can fall down.

- ▶ Secure cantilever beams against falling down during mounting by using at least two to three persons.

- ▶ Place the cantilever beam (3) onto the lower fastening blocks (4) of the side panel.
- ▶ Screw the upper fastening blocks (1) to the side panel (2), thus fastening the cantilever beam.



4.5 Wall-mounted with side elements before the wall

Mounting the cantilever beam

- ▶ Drill the drill holes at the lintel at a distance of a max. 400 mm each in accordance with the installation diagram 70511-ep04.



WARNING!

Danger of injury! The cantilever beam is very heavy and can fall down.

- ▶ Secure cantilever beams against falling down during mounting by using at least two to three persons.

- ▶ Fasten the cantilever beam to the lintel using countersunk screws (M8).

4.6 Mounting the side elements



WARNING!

Danger of injury! The side elements are very heavy and can tilt over.

- ▶ Secure the side elements against tilting over during mounting.



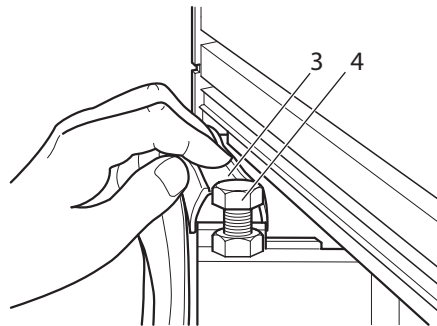
CAUTION

Danger of injury! The glass of the side elements can splinter.

- ▶ Handle the side elements with care and carefully.

Inserting the glazing rubber

- ▶ Cut the glazing rubber (3) to the length of the glass pane.
- ▶ Clamp the glazing rubber to the surface of the glass pane.
- ▶ Insert the adjustment screw (4).



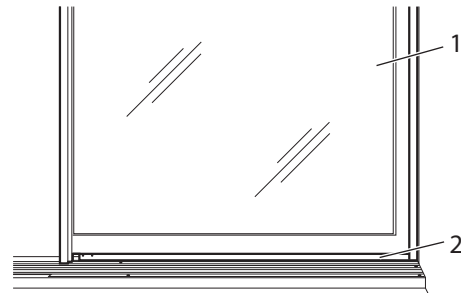
Inserting a side element

Cantilever mounting:

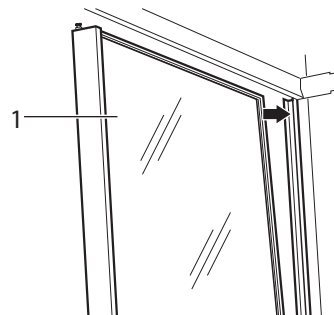
- ▶ Place the pre-mounted side element (1) from the outside onto the floor strip (2).

Wall-mounted:

- ▶ Place the pre-mounted side element (1) from the inside onto the floor strip (2).

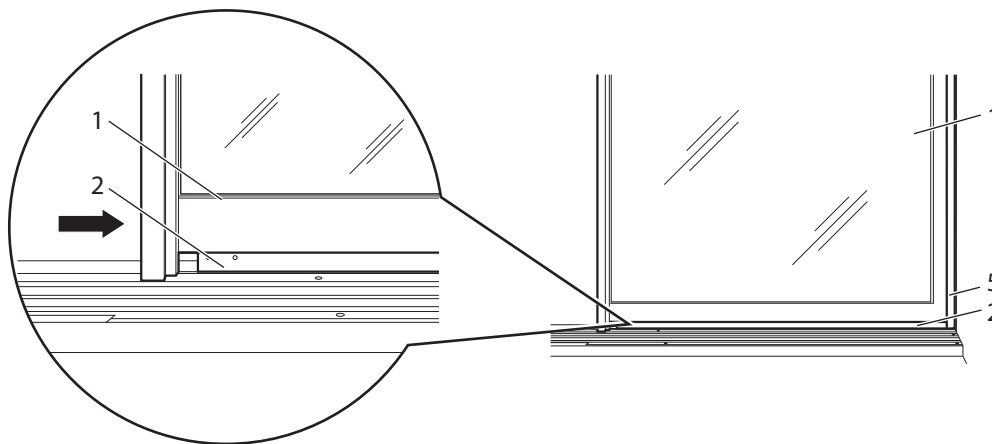


- ▶ Set up/fold up the side element (1) vertically until it contacts the cantilever beam.

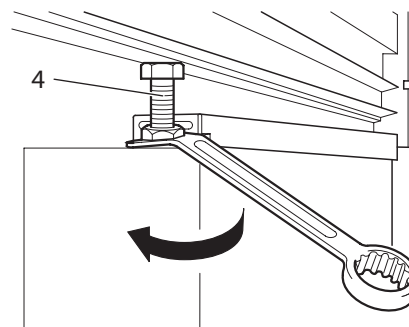


Fastening a side element

- ▶ Fold up the side element (1) completely and slide it into the wall strip (5).

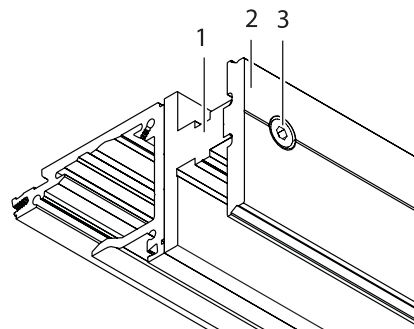


- ▶ Turn out the adjustment screw (4) at the top of the side element until it contacts the cantilever beam.

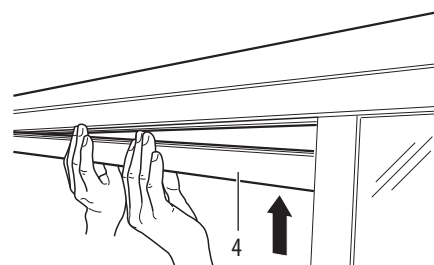


Attaching covers to the beam type SL

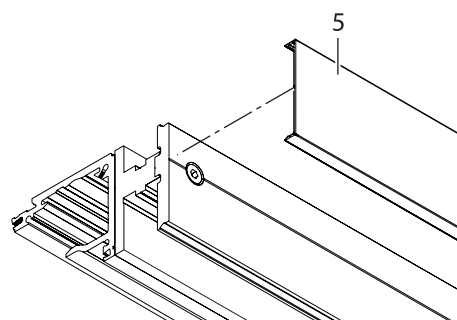
- ▶ Screw the cover (2) to the cantilever beam (1) using hexagon socket-head screws (3).



- ▶ Insert the cover panel (4) in the passage area of the door from below into the cantilever beam.

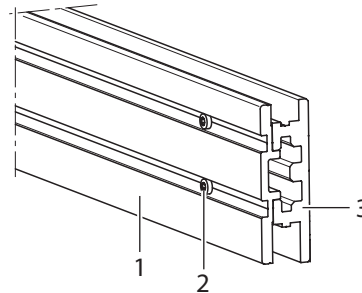


- ▶ Push the cover (5) onto the cantilever beam.

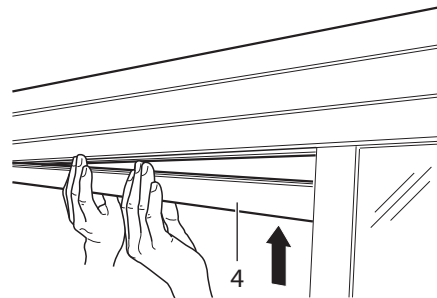


Attaching covers to the beam type EC/SL

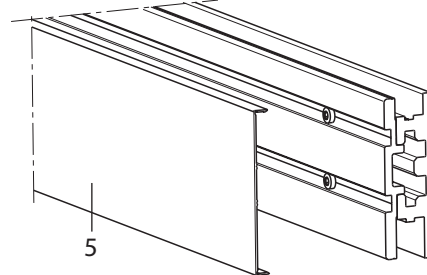
- ▶ Screw the cover (1) to the cantilever beam (3) using hexagon socket-head screws (2).



- ▶ Insert the cover panel (4) in the passage area of the door from below into the cantilever beam.

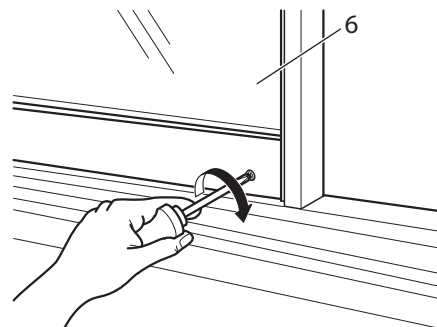


- ▶ Push the cover (5) onto the cantilever beam.



Securing the side element

- ▶ Insert and tighten the slotted pan head screw BZ 4.8 x 16 at the bottom of the side element (6).
The side element is secured against moving by means of this screw.



Adjusting the floor level clearance and the shadow gap

- ▶ Adapt the settings of the hanger bolts at the door leaves to each other (see mounting instructions of the drive).

Mounting the fanlights



- ▶ When mounting the fanlights, observe the mounting instructions of the manufacturer.

5 Dismantling

**WARNING!**

Danger of injury! Hood is held by a catch mechanism.

- ▶ Only remove the hood with two persons and lower it carefully using a holding rope.
-

**CAUTION**

Danger of injury! The glass of the side elements can splinter.

- ▶ Handle the side elements with care.
-

**WARNING!**

Danger of injury! The side elements are very heavy and can tilt over.

- ▶ Secure the side elements against tilting over during mounting.
-

**WARNING!**

Danger of injury! The cantilever beam is very heavy and can fall down.

- ▶ Secure cantilever beams against falling down during mounting by using at least two to three persons.
-

- ▶ Dismantling is carried out in the reverse order to mounting.

Germany

GEZE Sonderkonstruktionen GmbH
Planken 1
97944 Boxberg-Schweigern
Tel. +49 (0) 7930-9294-0
Fax +49 (0) 7930-9294-10
E-Mail: sk.de@geze.com

GEZE GmbH
Niederlassung Nord-Ost
Bühningstraße 8
13086 Berlin (Weissensee)
Tel. +49 (0) 30-47 89 90-0
Fax +49 (0) 30-47 89 90-17
E-Mail: berlin.de@geze.com

GEZE GmbH
Niederlassung West
Nordsternstraße 65
45329 Essen
Tel. +49 (0) 201-83082-0
Fax +49 (0) 201-83082-20
E-Mail: essen.de@geze.com

GEZE GmbH
Niederlassung Mitte
Adenauerallee 2
61440 Oberursel (b. Frankfurt)
Tel. +49 (0) 6171-63610-0
Fax +49 (0) 6171-63610-1
E-Mail: frankfurt.de@geze.com

GEZE GmbH
Niederlassung Süd-West
Breitwiesenstraße 8
71229 Leonberg
Tel. +49 (0) 7152-203-594
Fax +49 (0) 7152-203-438
E-Mail: leonberg.de@geze.com

GEZE GmbH
Niederlassung Süd-Ost
Parkring 17
85748 Garching bei München
Tel.: +49 (0) 89-120 07 42-50
Fax.: +49 (0) 7152-203-77050

GEZE Service GmbH NL Süd-West
Reinhold-Vöster-Straße 25
71229 Leonberg
Tel. +49 (0) 7152-9233-34

GEZE Service GmbH NL Nord-Ost
Bühningstraße 8
13086 Berlin (Weissensee)
Tel. +49 (0) 30-470217-32

GEZE Service GmbH NL West
Nordsternstraße 65
45329 Essen
Tel. +49 (0) 201-8 30 82 16

GEZE Service GmbH NL Mitte
Feldbergstraße 59
61440 Oberursel (b. Frankfurt)
Tel. +49 (0) 6171-63 327-0

GEZE Service GmbH NL Süd
Parkring 17
85748 Garching bei München
Tel. +49 (0) 89-120 07 42-0

Austria

GEZE Austria GmbH
Wiener Bundesstrasse 85
A-5300 Hallwang
Tel. +43/6225/87180
Fax +43/6225/87180-299
E-Mail: austria.at@geze.com

Baltic States

GEZE GmbH Baltic States office
Dzelzavas iela 120 S
1021 Riga
Tel. +371 (0) 67 89 60 35
Fax +371 (0) 67 89 60 36
E-Mail: office-latvia@geze.com

Benelux

GEZE Benelux B.V.
Steenoven 36
5626 DK Eindhoven
Tel. +31-(0)40-26 290-80
Fax +31-(0)40-26 290-85
E-Mail: benelux.nl@geze.com

Bulgaria

GEZE Bulgaria - Trade
Representative Office
61 Pirinski Prohod, entrance „B“,
4th floor, office 5,
1680 Sofia
Tel. +359 (0) 24 70 43 73
Fax +359 (0) 24 70 62 62
E-Mail: office-bulgaria@geze.com

China

GEZE Industries (Tianjin) Co., Ltd.
Shuangchengzhong Road
Beichen Economic Development
Area (BEDA)
Tianjin 300400, P.R. China
Tel. +86(0)22-26973995-0
Fax +86(0)22-26972702
E-Mail: Sales-info@geze.com.cn

China

GEZE Industries (Tianjin) Co., Ltd.
Branch Office Shanghai
Unit 25N, Cross Region Plaza
No. 899, Ling Ling Road,
XuHui District
200030 Shanghai, P.R. China
Tel. +86 (0)21-523 40 960
Fax +86 (0)21-644 72 007
E-Mail: chinasales@geze.com.cn

China

GEZE Industries (Tianjin) Co., Ltd.
Branch Office Guangzhou
Room 17C3
Everbright Bank Building, No.689
Tian He Bei Road
510630 Guangzhou, P.R. China
Tel. +86(0)20-38731842
Fax +86(0)20-38731834
E-Mail: chinasales@geze.com.cn

China

GEZE Industries (Tianjin) Co., Ltd.
Branch Office Beijing
Room 1001, Tower D
Sanlitun SOHO
No. 8, Gongti North Road,
Chaoyang District,
100027 Beijing, P.R.China
Tel. +86-(0)10-5935 9300
Fax +86-(0)10-5935 9322
E-Mail: chinasales@geze.com.cn

France

GEZE France S.A.R.L.
ZAC de l'Orme Rond
RN 19
77170 Servon
Tel. +33-(0)1-606260-70
Fax +33-(0)1-606260-71
E-Mail: france.fr@geze.com

Hungary

GEZE Hungary Kft.
Bartók Béla út 105-113.
Budapest
H-1115
Tel. +36 (1) 481 4670
Fax +36 (1) 481 4671
E-Mail: office-hungary@geze.com

Iberia

GEZE Iberia S.R.L.
Pol. Ind. El Pla
C/Comerc, 2-22, Nave 12
08980 Sant Feliu de Llobregat (Barcelo-
na)
Tel. +34 9-02 19 40 36
Fax +34 9-02 19 40 35
E-Mail: info@geze.es

India

GEZE India Private Ltd.
MF2 & 3, Guindy Industrial Estate
Ekkattuthangal
Chennai - 600 097
Tamilnadu
Tel. +91 (0) 44 30 61 69 00
Fax +91 (0) 44 30 61 69 01
E-Mail: office-india@geze.com

Italy

GEZE Italia S.r.l.
Via Giotto, 4
20040 Cambiagio (MI)
Tel. +39(0)29 50 695-11
Fax +39(0)29 50 695-33
E-Mail: italia.it@geze.com

Italy

GEZE Engineering Roma S.r.l.
Via Lucrezia Romana, 91
00178 Roma
Tel. +39(0)6-72 65 31 1
Fax +39(0)6-72 65 31 36
E-Mail: roma@geze.biz

Poland

GEZE Polska Sp.z o.o.
ul. Annopol 21
03-236 Warszawa
Tel. +48 (0)22 440 4 440
Fax +48 (0)22 440 4 400
E-Mail: geze.pl@geze.com

Romania

GEZE Romania S.R.L.
IRIDE Business Park
Str. Dimitrie Pompei nr. 9-9a
Building 10, level 2, sector 2
020335 Bucharest
Tel. +40 (0) 21 25 07 750
Fax +40 (0) 21 25 07 750
E-Mail: office-romania@geze.com

Russian

OOO GEZE RUS
Gamsonovskiy Per. 2
115191 Moskau
Tel. +7 (0) 495 933 06 59
Fax +7 (0) 495 933 06 74
E-Mail: office-russia@geze.com

Scandinavia – Sweden

GEZE Scandinavia AB
Mallslingan 10
Box 7060
18711 Täby, Sweden
Tel. +46(0)8-7323-400
Fax +46(0)8-7323-499
E-Mail: sverige.se@geze.com

Scandinavia – Norway

GEZE Scandinavia AB avd. Norge
Industriveien 34 B
2073 Dal
Tel. +47(0)639-57200
Fax +47(0)639-57173
E-Mail: norge.se@geze.com

Scandinavia – Finland

Branch office of GEZE Scandinavia AB
Herralantie 824
Postbox 20
15871 Hollola
Tel. +358(0)10-40 05 100
Fax +358(0)10-40 05 120
E-Mail: finland.se@geze.com

Scandinavia – Denmark

GEZE Denmark
Branch office of GEZE Scandinavia AB
Märkærvej 13 J-K
2630 Taastrup
Tel. +45(0)46-32 33 24
Fax +45(0)46-32 33 26
E-Mail: danmark.se@geze.com

Singapore

GEZE (Asia Pacific) Pte, Ltd.
21 Bukit Batok Crescent
#23-75, Wcega Tower,
Singapore 658065
Tel. +65-6846 1338
Fax +65-6846 9353
E-Mail: gezesea@geze.com.sg

South Africa

GEZE Distributors (Pty) Ltd.
118 Richards Drive, Halfway House,
Ext 111, P.O. Box 7934, Midrand 1685,
South Africa
Tel. +27(0)113 158 286
Fax +27(0)113 158 261
E-Mail: info@gezesa.co.za

Switzerland

GEZE Schweiz AG
Bodenackerstrasse 79
4657 Dulliken
Tel. +41-(0)62-285 54 00
Fax +41-(0)62-285 54 01
E-Mail: schweiz.ch@geze.com

Turkey

GEZE Kapı ve Pencere Sistemleri
San. ve Tic. Ltd. Şti.
Ataşehir Bulvarı, Ata 2/3
Plaza Kat: 9 D: 84 Ataşehir
Ataşehir / İstanbul
Tel. + 90 (0) 21 64 55 43 15
Fax + 90 (0) 21 64 55 82 15
E-Mail: office-turkey@geze.com

Ukraine

GEZE Ukraine TOV
ul. Viskoznaya, 17,
Building 93-B, Office 12
02094 Kiev
Tel./Fax +38 (0) 44 501 22 25
E-Mail: office-ukraine@geze.com

United Arab Emirates/GCC

GEZE Middle East
P.O. Box 17903
Jebel Ali Free Zone
Dubai
Tel. +971(0)4-88 33 112
Fax +971(0)4-88 33 240
E-Mail: geze@emirates.net.ae

United Kingdom

GEZE UK Ltd.
Blenheim Way
Fradley Park
Lichfield
Staffordshire WS13 8SY
Tel. +44(0)1543 44 30 00
Fax +44(0)1543 44 30 01
E-Mail: info.uk@geze.com

GEZE GmbH

P.O.Box 1363
Reinhold-Vöster-Straße 21–29
71229 Leonberg
Germany

Tel.: 0049 7152 203-0
Fax: 0049 7152 203-310
www.geze.com

135678-01

