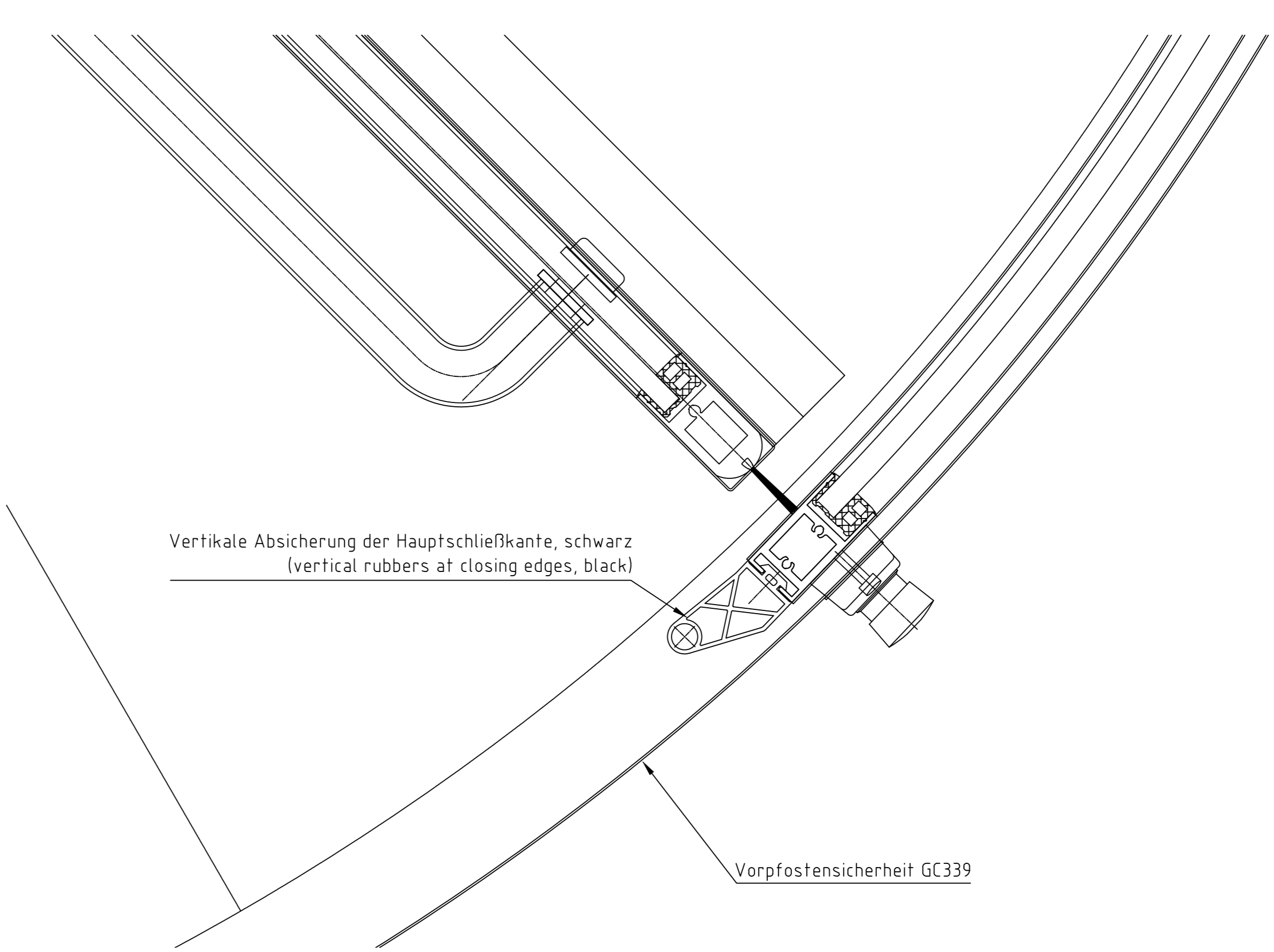
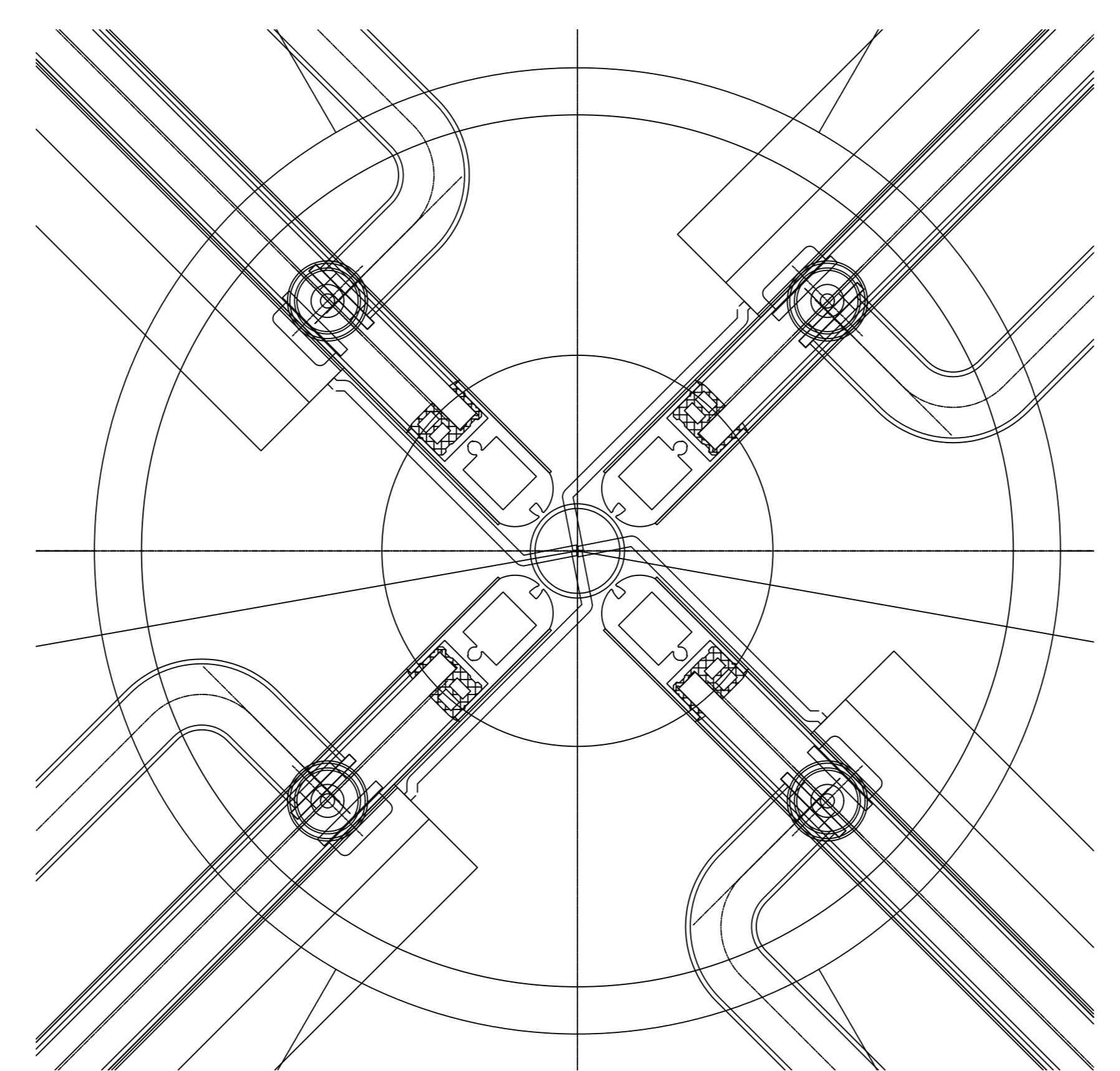
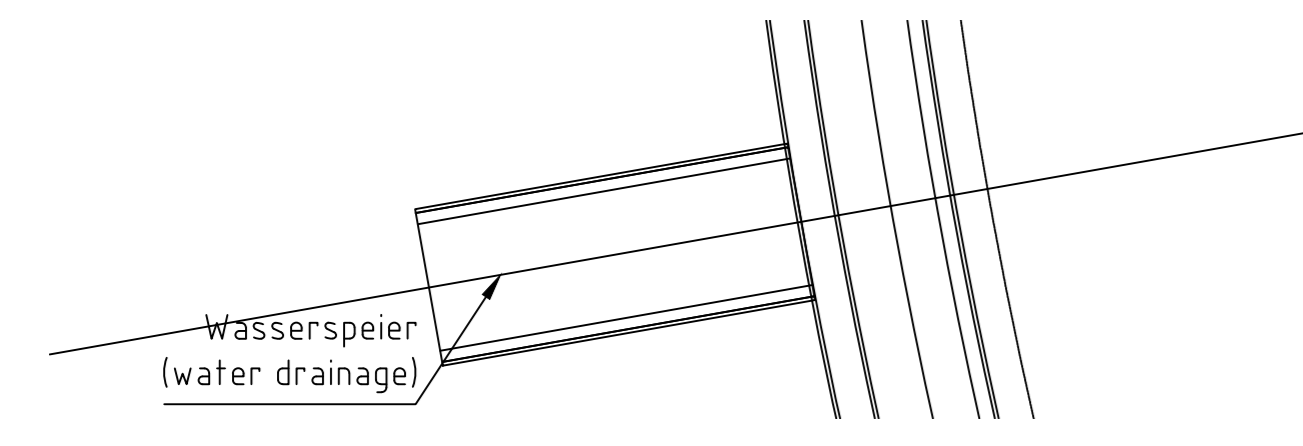
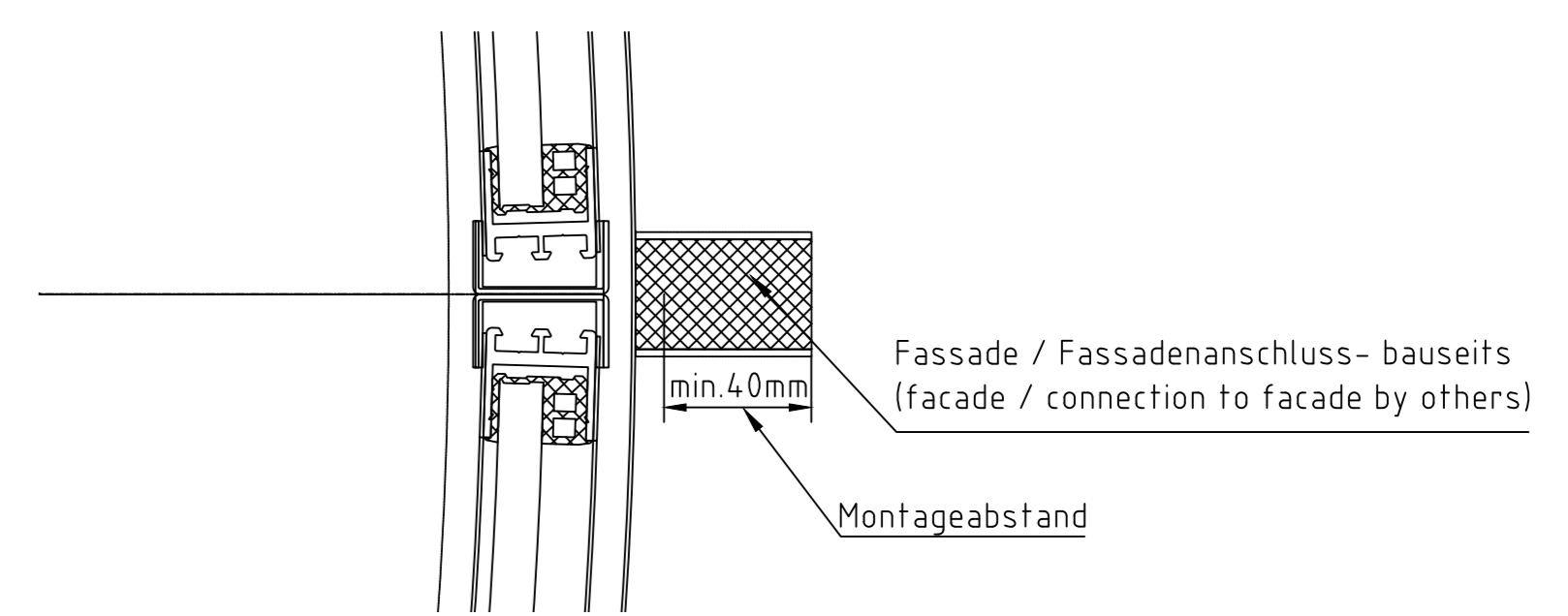
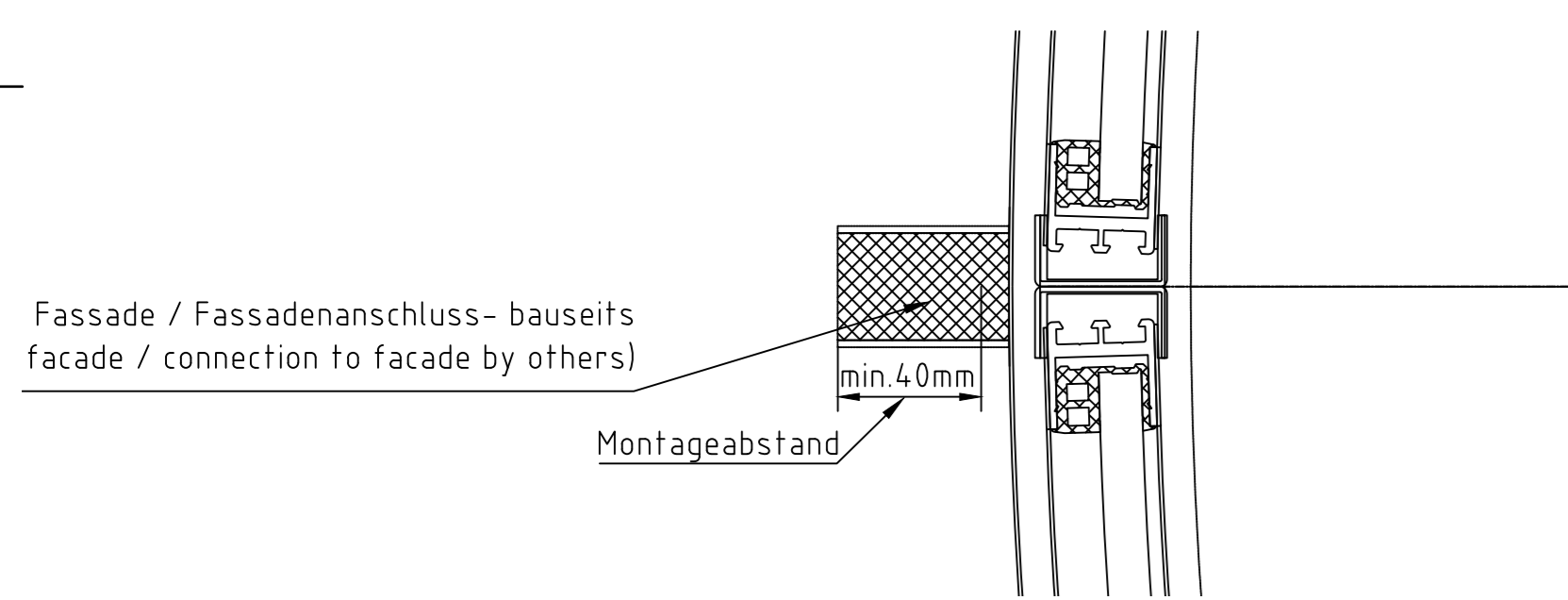
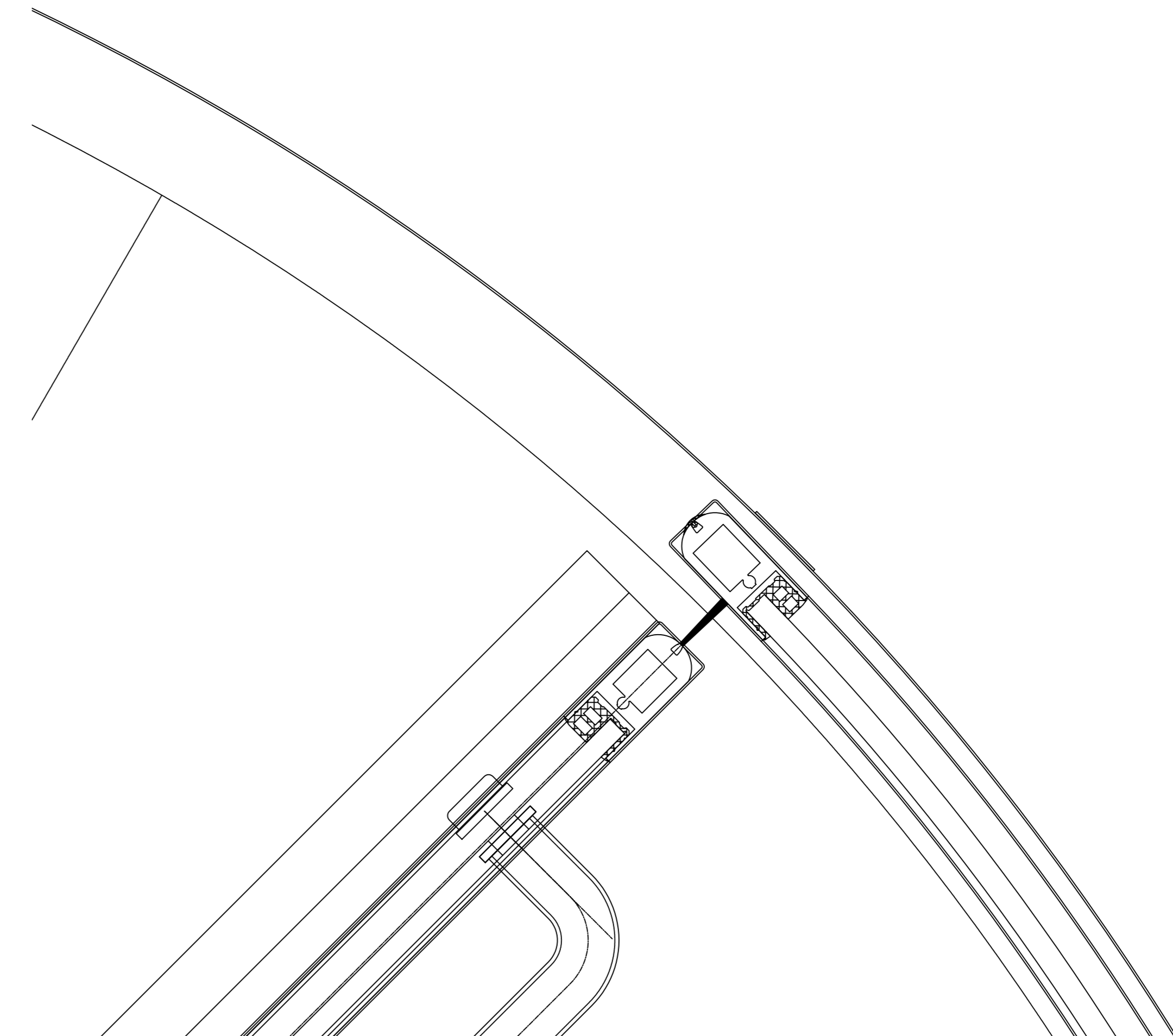
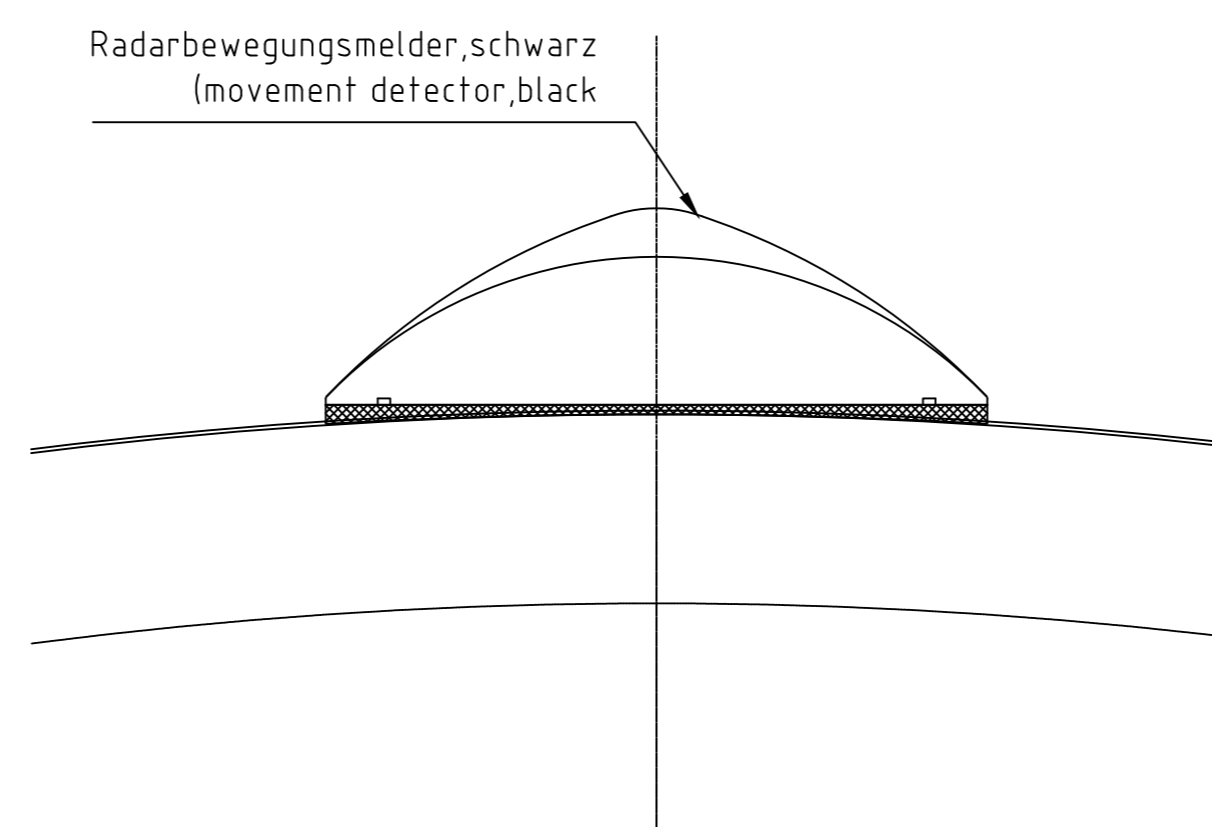
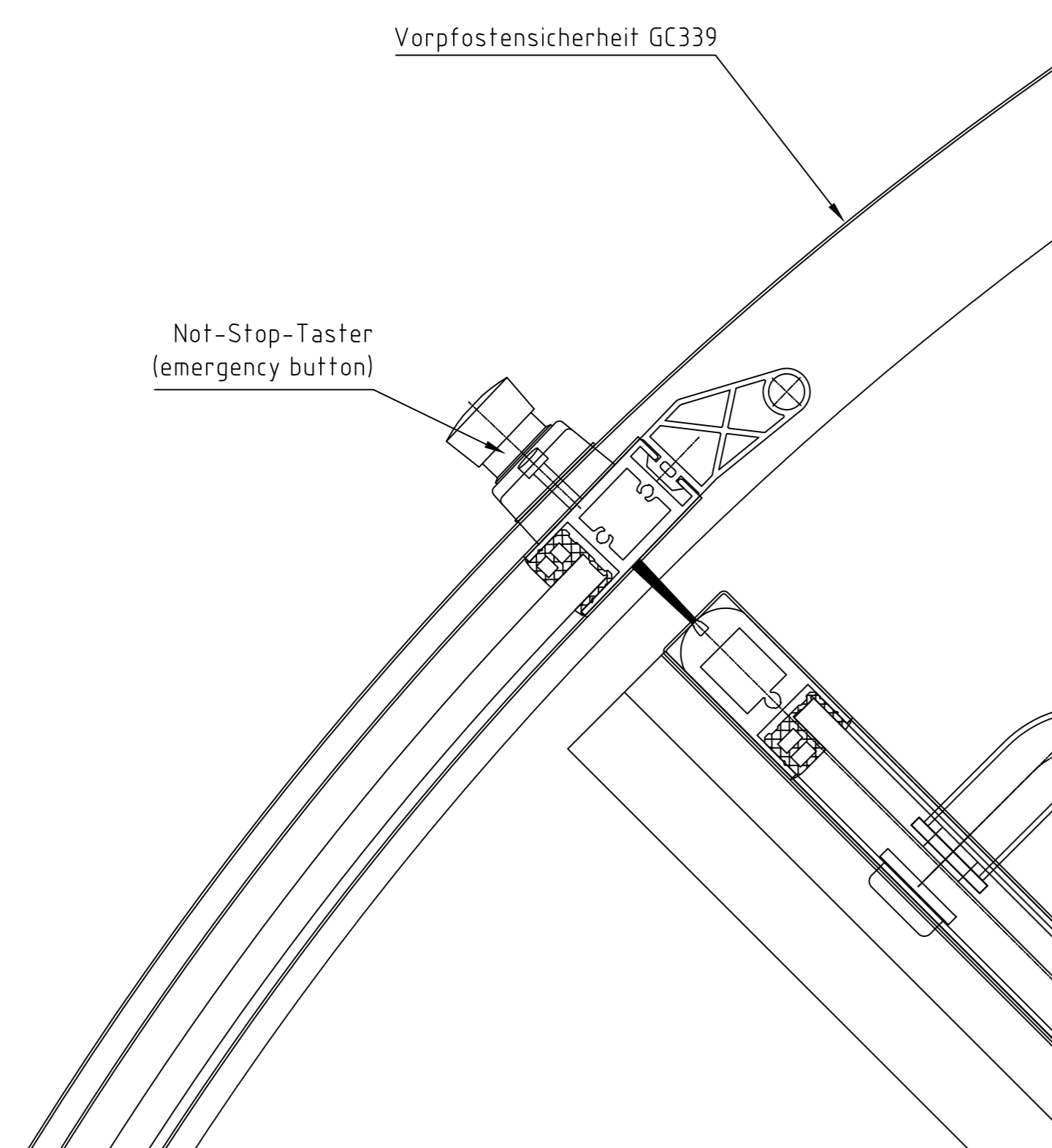


GEZE GmbH		Drawing / description	
P.O. Box 143 32511 Löhne Germany		Reference drawing	
vertraulich/confidential		1 / 3	
Date: 01.08.2016		Scale: 1:10 / 12	
Drawn by: [signature]		Checked by: [signature]	
Created for: [signature]		Drawing no. / document no.	
Created with: [signature]		-0-001	



GEZE GmbH		Drawing / description	
P.O. Box 143 52259 Lennep Germany		Reference drawing	
vertraulich/confidential		3 / 3	
Datum/date	Issue/issue	Blatt / of	Platznummer / ID-no
01.08.16	01773	1/2	
Erstellt/created by	Erstellt/created date	Sprache/language	Zeichnungs-Nr. / document-no
			-0-003