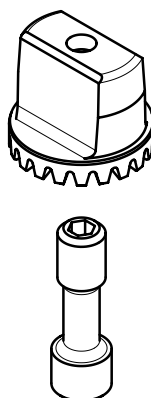
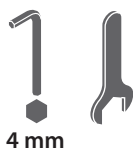


Achsoberteil
Spindle cap
Partie supérieure de l'axe
Parte superior del eje



161036-00

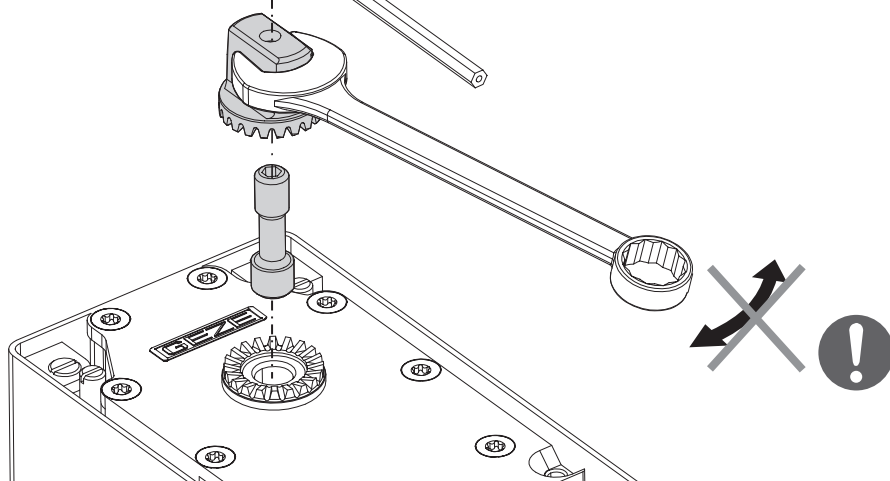
GEZE



4 mm



18 Nm \pm 2 Nm



GEZE GmbH
Reinhold-Vöster-Strasse 21-29
71229 Leonberg
Germany

Tel.: 0049 7152 203 0
Fax: 0049 7152 203 310
www.geze.com

Engineered in Germany.
Made by GEZE, PRC.



GEZE